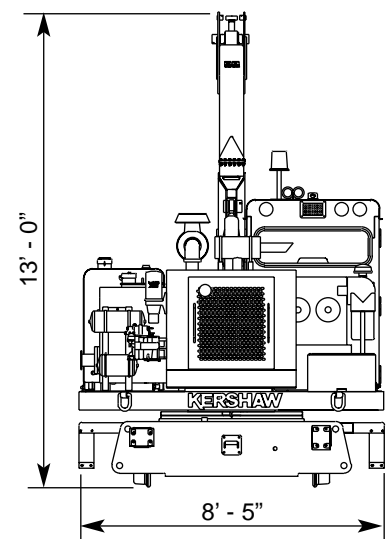
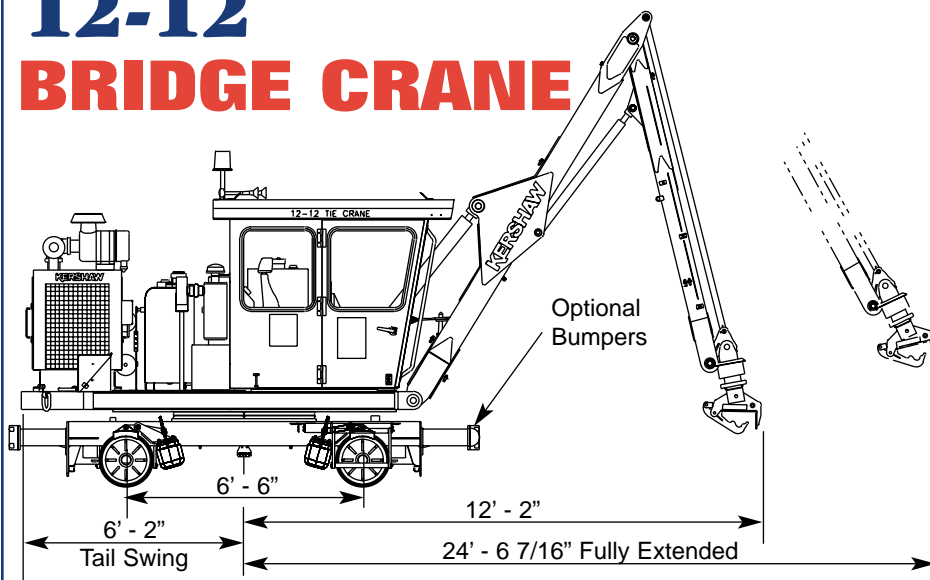


12-12 BRIDGE CRANE



Description: Designed to perform bridge and open deck trestle work, the Model 12-12 Bridge Crane has maximum lifting capacity of 1200 lbs. (544 kg) at 24 ft. (7315 mm) from center of track. Upper deck and tie grapple are capable of 360° continuous rotation. The Bridge Crane is capable of handling bridge ties, caps, stringers and other bridge components.

Frame: Welded construction, lower frame is structural steel and 1" (25.4 mm) thick steel plate for the slewing ring support. Upper deck is structural steel and formed deck plates. Frame covered by Five (5) Year Warranty. Oversize 46 7/8 inch diameter slewing ring rated for 80,000 ft-lb. Remote grease fittings for slewing ring and axle bearings. 8-channel 6,000 psi hydraulic swivel is accessible from upper deck.

Engine: Caterpillar C4.4, Tier III, 127 HP @ 2200 rpm.

Transmission and Axles: 3" (76 mm) diameter solid axles with chain drive from separate hydraulic motors driving both axles. Travel speed: 20 mph (32 km/hr). Two (2) propel drive motors for quicker response in work mode. #100 drive chain with hardened tooth sprockets.

Hydraulic System: Pressure compensated piston type pump direct coupled to engine. Deck rotation by hydraulic motor through gearbox. Hydraulic oil is filtered through a 100 mesh (145 micron) suction screen and 10 micron return line filter. Manifold-type stack valves for improved serviceability. Remote oil cooler accessible from ground level with dual electric cooling fans. Electric emergency pump.

Electrical System: 12 volt dc negative ground, 100 amp alternator, color coded and numbered wiring.

Air System: A 12 cfm (.34 m³/min) @1,250 rpm air compressor, engine oil lubricated, air-cooled; pressure - 110-120 psi (758-927 kPa), 613 cubic inches (10 liter) air tank.

Cab: Large enclosed cab with 99.5 cubic foot capacity. Ergonomically designed seat. Large front windshield with unobstructed view of boom operation through full range of motion. Hydraulic pilot-pressure bottom-ported joystick controls on operator seat with heat shields. Self-contained hydraulically driven air conditioner/heater/pressurizer unit mounted on rear wall of cab (roof mount optional). Remote controlled boom travel lock. Rubber suspension ladder steps. No service items located on cab roof on standard machine.

Wheels and Brakes: 16" (406 mm) cast steel wheels. External, individual composite brake shoes applied directly on the vertical centerline of wheel tread. Service brakes are air applied, spring released. Emergency/parking brakes are spring applied, air released.

Capacities: Fuel: 75 gal. (284 liters), Hydraulic: 70 gal. (265 liters).

Weight: 18,000 lbs (8164.8 kg).

Boom: Ultra-wide 32 inch (813 mm) spread base root boom mount. GV-12 grapple rotator. Equipped with 4,000 lb. capacity winch.

Optional Equipment: Basket grapple; single tie grapple; two tie grapple; timber grapple; concrete tie grapple; timber crane package; two-speed propel; boom-mounted flail mower.



P. O. Box 244100
Montgomery, AL 36124

Telephone (334) 387-9100
Fax (334) 387-9375

ISO 9001:2000
REGISTERED